

A

B

C

D

E

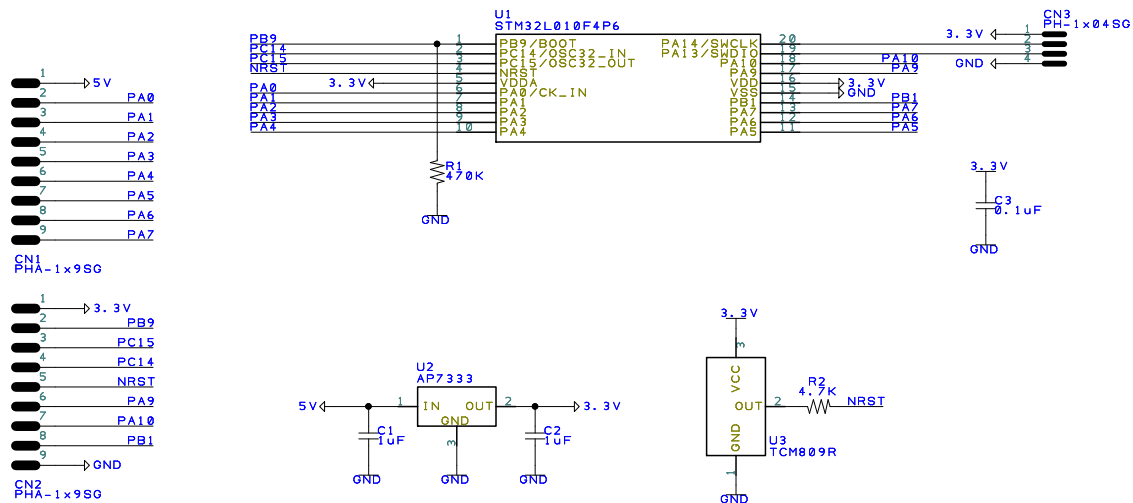
F

1

2

3

4



PROJECT: Prickly-Ash		EMB-Tec
DRAWING TITLE:		
DRAWN BY: EMB-Tec	REVISION: 1.0.0	
SHEET: 1 OF 1	STATUS:	
DATE: 2023 / 8 / 16	EMB-Tec https://www.emb-tec.com	